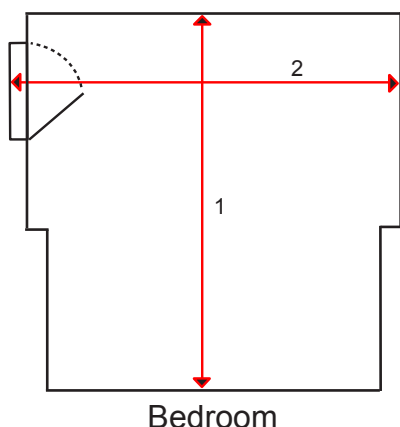
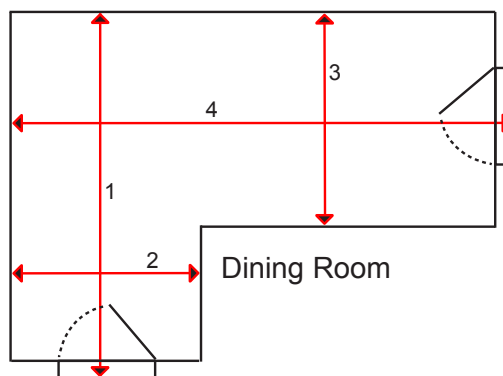
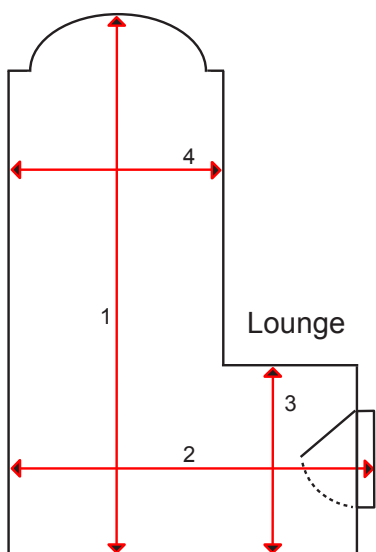


### Measure each area using the following guide



Print as many grid pages as you require. On each grid page, draw a rough diagram of the area to be covered.

Use the illustrations to help you identify the correct measurement points.

Remember to measure into doorways and bay windows. Check that the maximum width and length of each area are included and that you have not measured a narrow point in the room.

Additional consideration should be taken when measuring stairs. These are described further on the next page.

All sizes can be checked by our estimators, free of charge, if required.

Once you have completed your measurements, please visit your local Carpet GIANT store for a free flooring quotation.

**Carpet Giant Orpington**  
Unit 1A, Oast House Way  
Cray Avenue  
Orpington, Kent, BR5 3PT

Phone: **01689 890 926**  
Email: [orpington@carpetgiant.co.uk](mailto:orpington@carpetgiant.co.uk)

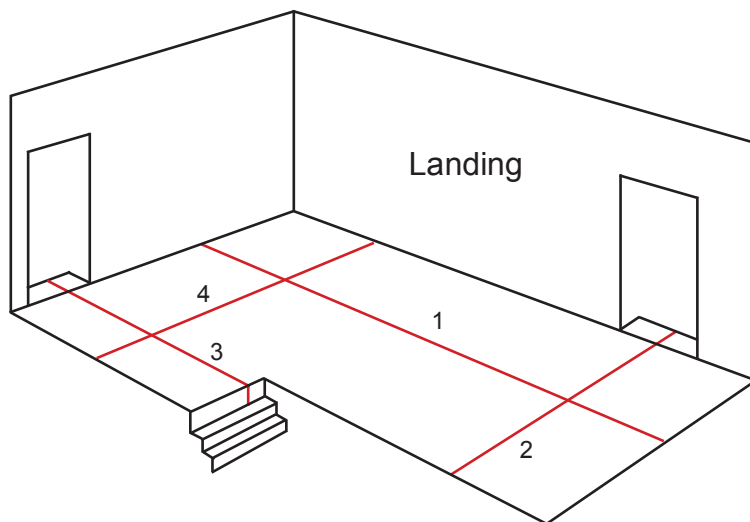
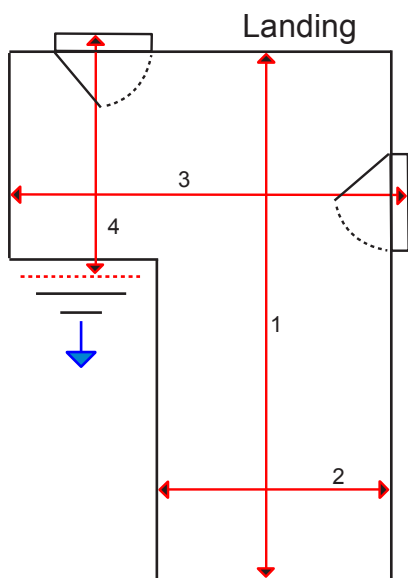
**Carpet Giant Maidstone**  
Unit G, Hart Street Retail Park  
Maidstone, Kent, ME16 8RF

Phone: **01622 679 338**  
Email: [maidstone@carpetgiant.co.uk](mailto:maidstone@carpetgiant.co.uk)

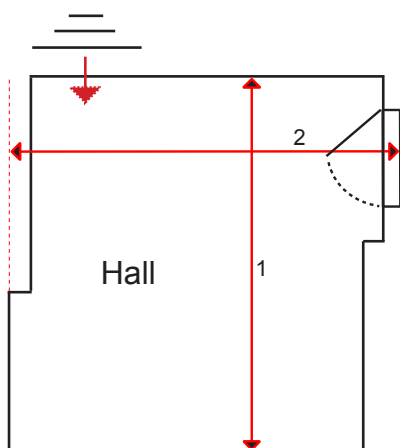
**Carpet Giant Croydon**  
Unit 4, Thornton Road Trading Estate  
Thornton Road  
Croydon, Surrey, CR0 3BT

Phone: **020 8664 9377**  
Email: [croydon@carpetgiant.co.uk](mailto:croydon@carpetgiant.co.uk)

### Measure stair areas using the following guide



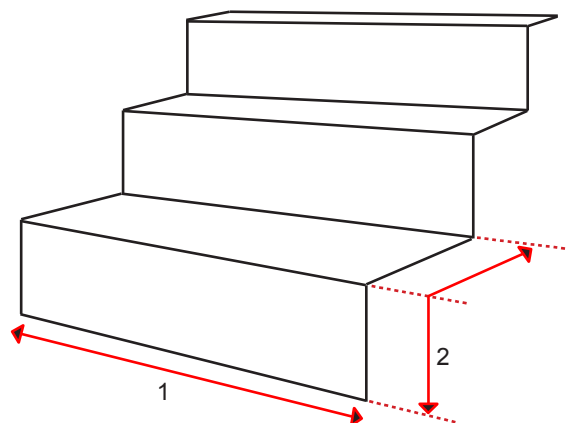
When planning an upstairs landing, measure points 1 to 4 shown above. Note the direction of the stairs going down into the hall (large arrow). When measuring length 4, as illustrated, ensure that you measure over the nose and down the first step. Also measure into any doorways present.



When measuring a downstairs hall, remember to measure into doorways and at the maximum points.

Note the direction of the stairs going down into the hall

### Stairs

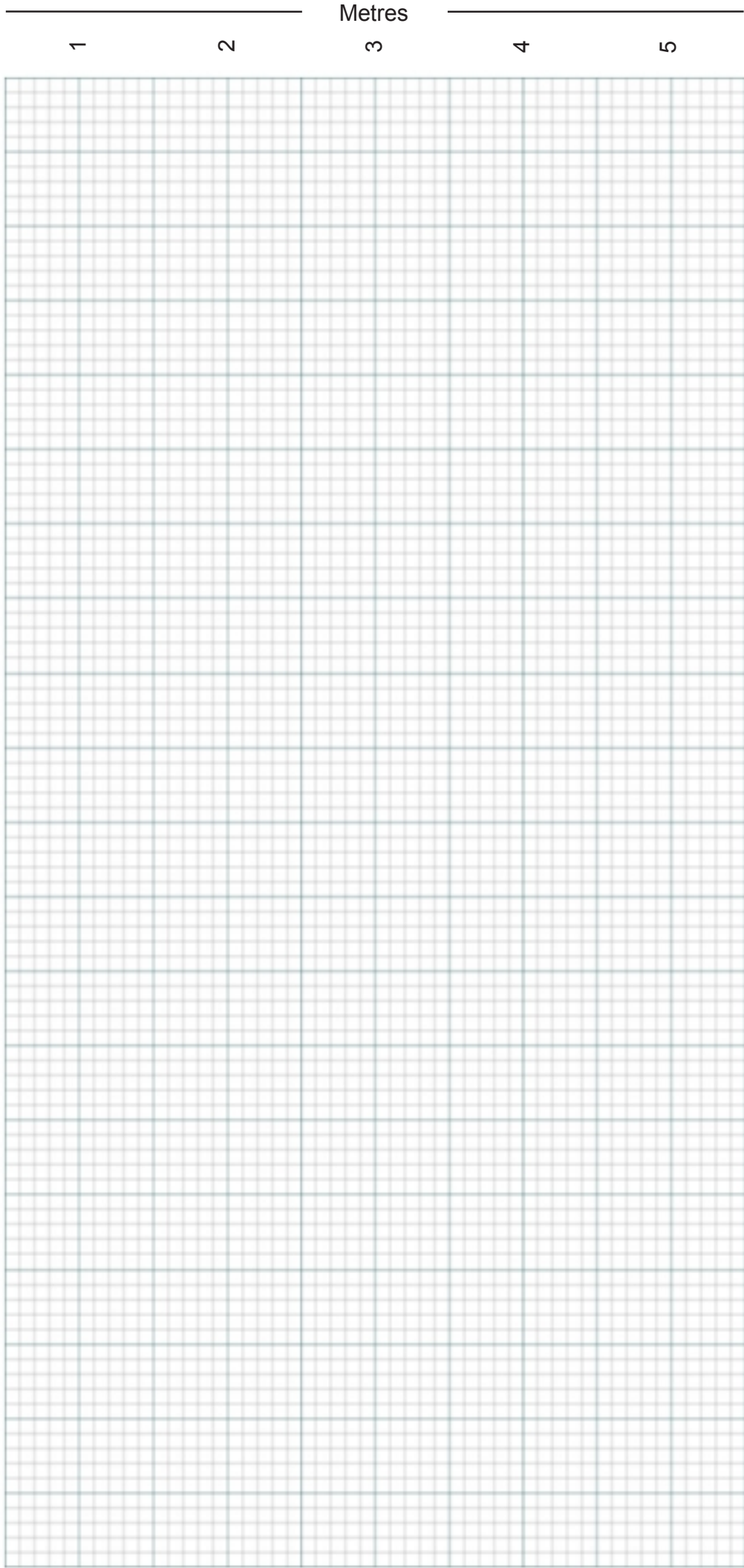


When planning your stairs, measure the width, height and depth. Also, count the number of stairs. e.g. 12 steps at 85cm x 50cm.

Additional measurements will be needed for a half-landing. The plan should show the direction when the stairs turn.

**Carpet GIANT**

**FLOORING SUPERSTORE**



1 2 3 4 5 6 7 8 9 10

Metres

Metres

1

2

3

4

5